

# orkanda

Home Lift Supplier



**ORKA**  
**Freecurve**  
Catalogue Product

"I love how my Orka Freecurve was Custom built just for my home; my dealer provided so many options to personalize it just for me. Traveling up and down my staircase has never been easier with my new Orkanda Chairlift."

## Features

Single Tube Rail System

Compact and Foldable

— Multiple Rail Color  
and Seat Options

Easy to Use and Maintain

Available Active Seat. Powered  
Footrest, Turn and Go and  
Seat Swivel Options

Obstruction Free Add-ons for  
Top and Bottom Landings



— **Safe Working Load (SWL)**

275 lb (125 kg)



## Warranty

Orka Freecurve: 2 years  
Motor & Gearbox: Limited Lifetime

# Regain your independence and conquer the struggles of staircase

Orkanda offers chairlift solutions that provide freedom of movement throughout your home, allowing you to age in place free from everyday obstacles. Our compact and customized chairlift can be installed anywhere. We have dozens of satisfied customers with a good deal to choose our chairlift.

## Limitless design options. Revolutionary single tube rail.

Orka Freecurve curved chairlift features a revolutionary design that takes up less space on stairs with custom features providing limitless options. Spiral, narrow, and steep staircases present no challenge to the Freecurve thanks to its single tube rail, engineered to fit any home with a curved staircase.

Easy to maintain with a quiet and smooth ride that provides the ultimate in safety and comfort. The Freecurve is available in a unique, elegant design in a variety of seat and





## Compact

Orka Freecurve folds up easily maximizing the space for family members to go up and down the stairs as needed when not in use.



## Easy to Use

Ergonomic and intuitive to use, the joystick on the armrest smoothly operates the Freecurve.



## Adaptable

Combine your chairlift with a powered hinge or drop nose option to prevent the track from obstructing a doorway at the base of the stairs.



## Multiple Charge Points

Charge points are conveniently located at the top and bottom of stairs for pain-free recharging.

Additional charge points can be added for flexibility and convenience.

## Turn & Go

Narrow staircases are not a problem for the freecurve, the optional Turn & Go feature automatically swivels your seat forward while riding. A convenient solution that allows more room for the user in tight environments.



## Active Seat

The optional active seat option makes sitting down or getting up from your Freecurve much easier. With just a pull of a lever your movements are supported keeping strain off your joints and muscles. ( Available with Alliance and Elegance seates).



## Safety First

The optional powered footrest allows you to fold and unfold the footrest without having to bend down, LED illumination improves visibility in low lit areas (standard with the powered footrest) and an anti-slip texture providing better foot grip when seated and departing.



## Automatic Swivel

The optional powered swivel makes it easy to get off the lift at the top of landings, simply hold the toggle switch in the direction of the landing to turn the seat for a controlled departure. With 80 degrees of tilt, you face more of your top landing providing greater security when getting up from your Orka Freecurve. (Manual swivel standard).



# Seat Types



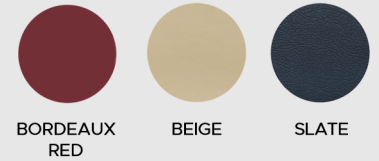
## Classic Seat

The Classic seat is extremely comfortable and designed with input from therapists. The seat comes in a leatherette-grain finish offering a timeless ergonomic design.

### Options

- Powered Swivel ✓
- Powered Footrest ✓
- with LED Illumination ✓
- Turn and Go ✓
- Active Seat ✗
- Body Harness ✗
- Child Seat ✓

### Seat Colors



BORDEAUX  
RED

BEIGE

SLATE



## Alliance Seat

The Alliance seat has a refined appearance making it a welcome addition to any interior. The two-tone combination of wood and leatherette upholstery makes the seat truly stand out.

### Options

- Powered Swivel ✓
- Powered Footrest ✓
- with LED Illumination ✓
- Turn and Go ✓
- Active Seat ✓
- Body Harness ✓
- Child Seat ✓

### Seat Colors



BORDEAUX  
RED

BEIGE

COCOA  
BROWN



## Elegance Seat

The Elegance seat combines luxurious design with ultimate comfort, thanks to its super-soft leatherette upholstery. The seat looks and feels stylish with an elegant feel. Armrests can also be adjusted outwards.

### Options

- Powered Swivel ✓
- Powered Footrest ✓
- with LED Illumination ✓
- Turn and Go ✓
- Active Seat ✓
- Body Harness ✓
- Child Seat ✓

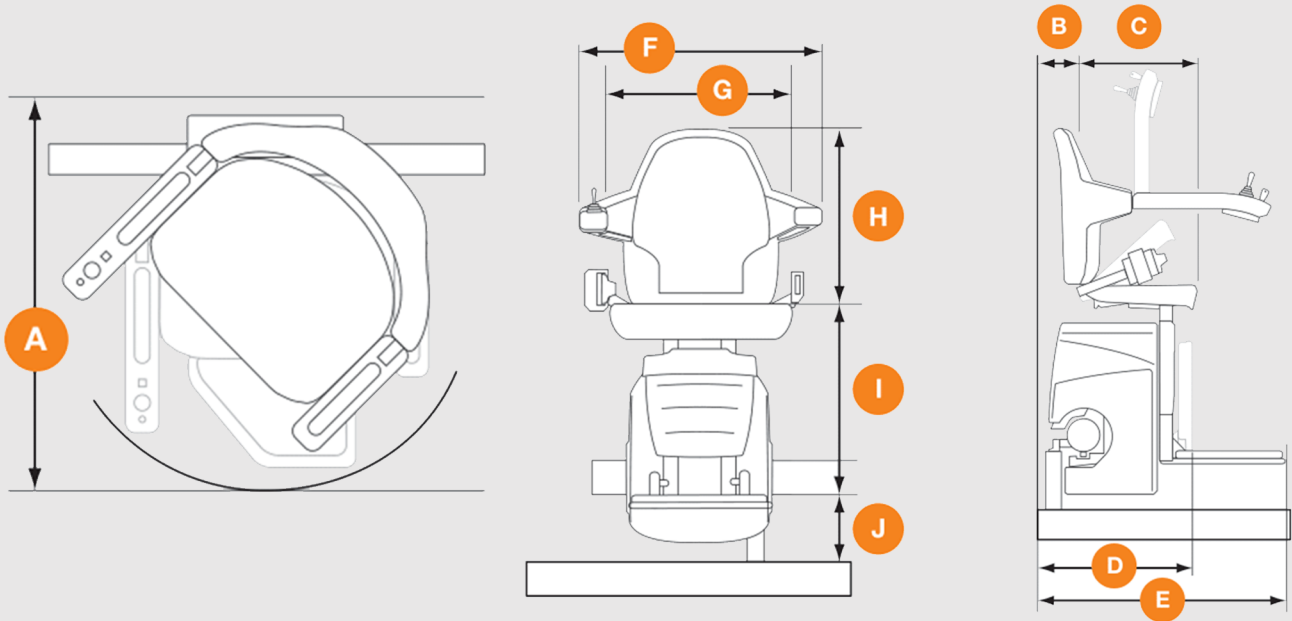
### Seat Colors



BORDEAUX  
RED

CREAM

COCOA  
BROWN



## Freecurve Style Seat Dimensions

### Safe Working Load (SWL)

45-70°: 275 lb (125 kg)

### Speed

0.35 ft / sec (0.10 m / sec)

Some of the dimensions depend on the characteristics of the staircase in the home. Handicare reserves the right to alter designs and specifications without prior notice.

<b>A</b> Swivel radius	28.4–29.5 in (721–749 mm)
<b>B</b> Wall to inner seat back	4.1–5.1 in (105–130 mm)
<b>C</b> Seat depth	14.5–15 in (368–381 mm)
<b>D</b> Folded width to footrest, minimum	16.5–17.4 in (419 mm)
<b>E</b> Open width to edge of footrest, minimum	25.1–26 in (638–660 mm)
Offset footrest	24–24.8 in (607–629 mm)
<b>F</b> Armrest width, external	22.1–23.5 in (562–597 mm)
<b>G</b> Armrest width, internal	17.1–18.3 in (435–464 mm)
<b>H</b> Seat back height	15.5–16.4 in (394–416 mm)
<b>I</b> Footrest to seat height	18.6–19.5 in (473–495 mm)
<b>J</b> Footrest height, minimum	3.9–4.9 in (98–124 mm)
Track intrusion into staircase, minimum	6.8–7.5 in (171–191 mm)
Weight limit, maximum	275 lb (125 kg)

\*Dimensions vary based on seat style selected and may vary depending on hand of seat.

\*\*Seat depicted in specification drawings is our Classic Seat.

# orkanda

[www.orkanda.co.id](http://www.orkanda.co.id)

## Jakarta

Ruko Graha Boulevard Blok B-05  
Jl. Raya Boulevard Kelapa Gading  
Jakarta Utara – Indonesia 14240

## Surabaya

Gedung Medan Pemuda, Lt.4  
Jl. Pemuda No. 23-71, Surabaya  
Jawa Timur – Indonesia 60271



Orkanda lifts



@orkandaliftindonesia



@orkanda.id



OrkandaUAB